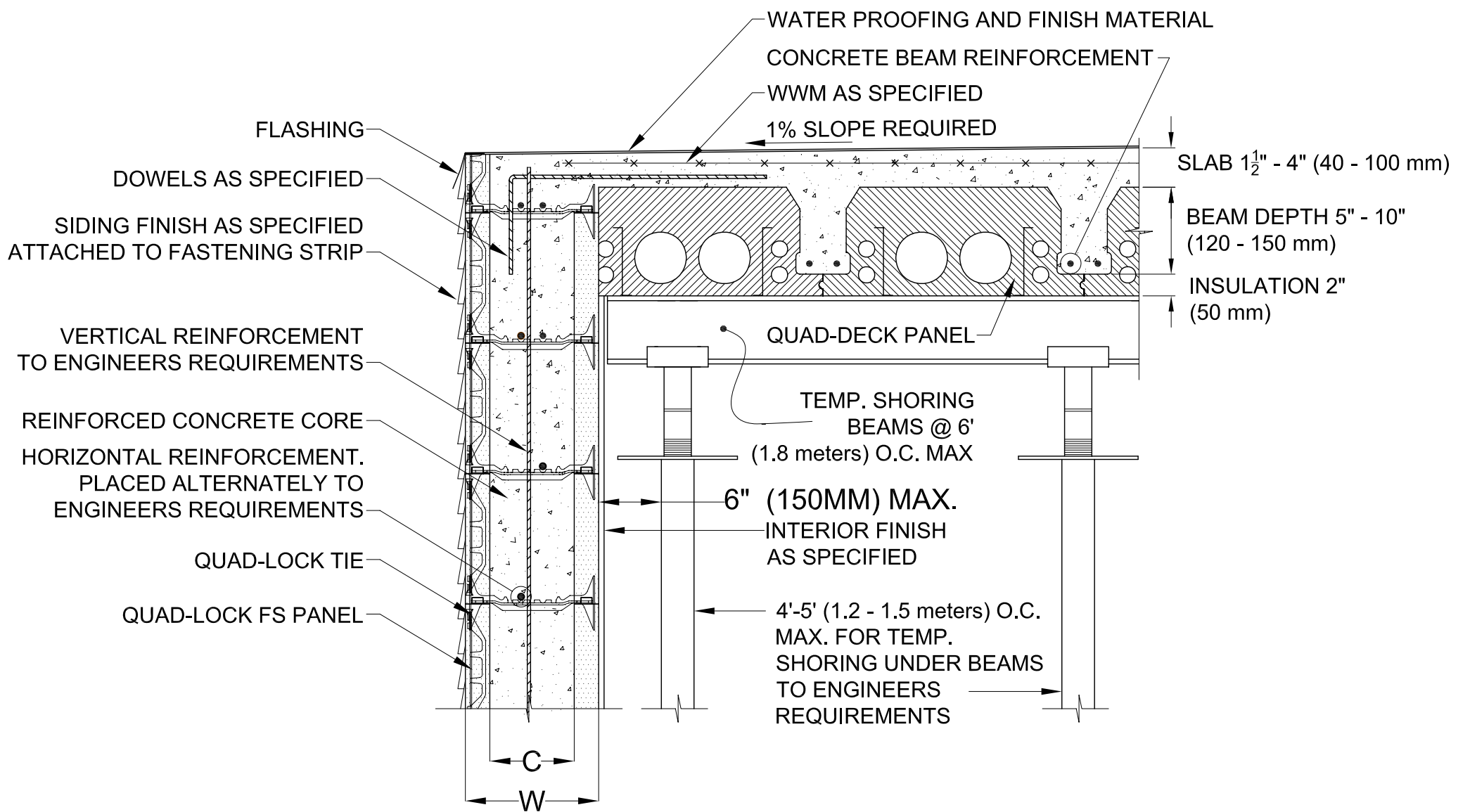


U - 0.28 WALL CONFIGURATION

NOMINAL CONC. WIDTH - TIE SIZE	WALL WIDTH W	WALL CAVITY C
4" (100mm)	8 ¹ / ₄ " (210mm)	3 ³ / ₄ " (96mm)
6" (150mm)	10 ¹ / ₄ " (260mm)	5 ³ / ₄ " (146mm)
8" (200mm)	12 ¹ / ₄ " (311mm)	7 ³ / ₄ " (197mm)
10" (250mm)	14 ¹ / ₄ " (362mm)	9 ³ / ₄ " (248mm)
12" (300mm)	16 ¹ / ₄ " (413mm)	11 ³ / ₄ " (299mm)



1 CONNECTION DETAIL
6.3



Quad-Lock (England) Ltd.
Unit B3, 1 Maws Centre
Jackfield, Shropshire
TF8 7LS

Tel : 01952 884931
Fax : 01952 883285
www.quadlock.co.uk

DUE TO VARIANCES IN LOCAL CODES, CONSTRUCTION PRACTICES AND REQUIREMENTS ALL DETAILS SHALL BE CONSTRUCTED IN ACCORDANCE WITH SUCH LOCAL CODES, CONSTRUCTION PRACTICES, AND REQUIREMENTS REGARDLESS OF CONSTRUCTION DETAIL SHOWN IN DRAWING. QUAD-LOCK BUILDING SYSTEMS LTD. RESERVES THE RIGHT TO CHANGE INFORMATION SHOWN WITHOUT NOTICE.

QUAD-DECK FLAT ROOF PARALLEL

DATE:	2005-07-23	SCALE:	nts
REVISION NO:	R-03	PROJECT:	N/A
REVISION DATE:	SEP 2009	CUSTOMER:	N/A
DRAWN BY:	Z. PROSTRAN	APPROVED BY:	D. J. BENNION
REVISED BY:	M BAILEY	REVISION APPROVED BY:	P TOWNEND

DRAWING NO:
6.3