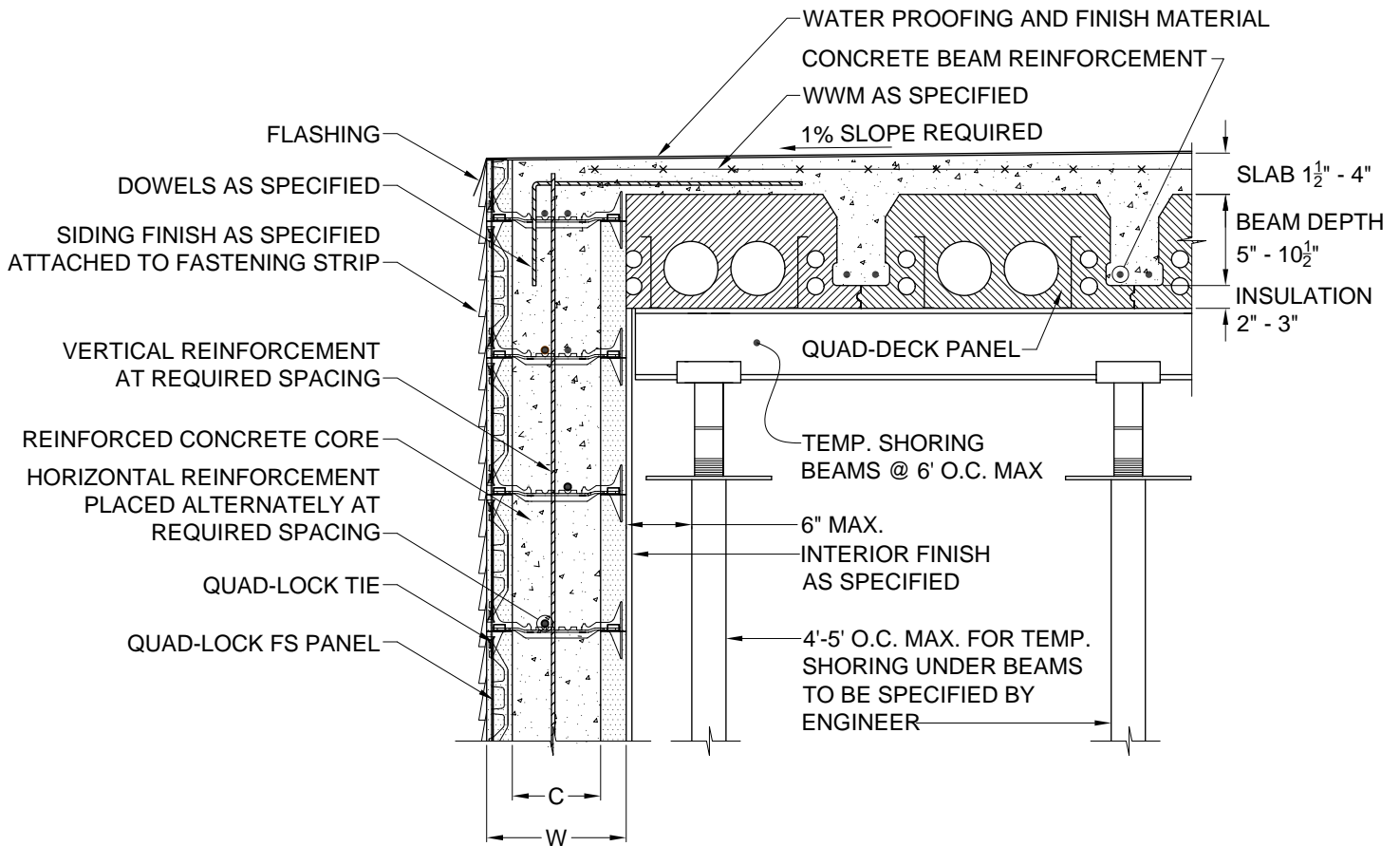


R-22 WALL CONFIGURATION		
NOMINAL CONC. WIDTH - TIE SIZE	WALL WIDTH W	WALL CAVITY C
4" (100mm)	8 $\frac{1}{4}$ " (210mm)	3 $\frac{3}{4}$ " (96mm)
6" (150mm)	10 $\frac{1}{4}$ " (260mm)	5 $\frac{3}{4}$ " (146mm)
8" (200mm)	12 $\frac{1}{4}$ " (311mm)	7 $\frac{3}{4}$ " (197mm)
10" (250mm)	14 $\frac{1}{4}$ " (362mm)	9 $\frac{3}{4}$ " (248mm)
12" (300mm)	16 $\frac{1}{4}$ " (413mm)	11 $\frac{3}{4}$ " (299mm)



1 CONNECTION DETAIL
6.3 3/4" = 1'

QUAD-LOCK[®] BUILDING SYSTEMS

Quad-Lock Building Systems Ltd.
7398 - 132nd Street
Surrey, BC V3W 4M7
Canada

888.711.5625 - Toll Free
604.590.3111
604.590.8412 - fax
www.quadlock.com

DUE TO VARIANCES IN LOCAL CODES, CONSTRUCTION PRACTICES AND REQUIREMENTS ALL DETAILS SHALL BE CONSTRUCTED IN ACCORDANCE WITH SUCH LOCAL CODES, CONSTRUCTION PRACTICES, AND REQUIREMENTS REGARDLESS OF CONSTRUCTION DETAIL SHOWN IN DRAWING.
QUAD-LOCK BUILDING SYSTEMS LTD. RESERVES THE RIGHT TO CHANGE INFORMATION SHOWN WITHOUT NOTICE.

QUAD-DECK FLAT ROOF PARALLEL

DATE:	2005-07-23	SCALE:	3/4" = 1'-0"
REVISION NO.:	R-03	PROJECT:	N/A
REVISION DATE:	2005-08-24	CUSTOMER:	N/A
DRAWN BY:	Z. PROSTRAN	APPROVED BY:	D. J. BENNION
			DRAWING NO.:
			6.3