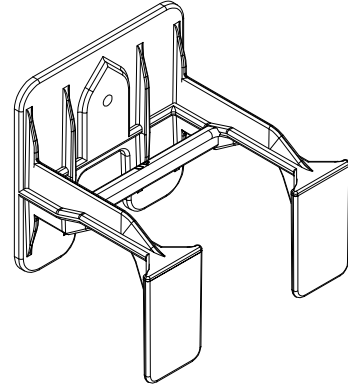
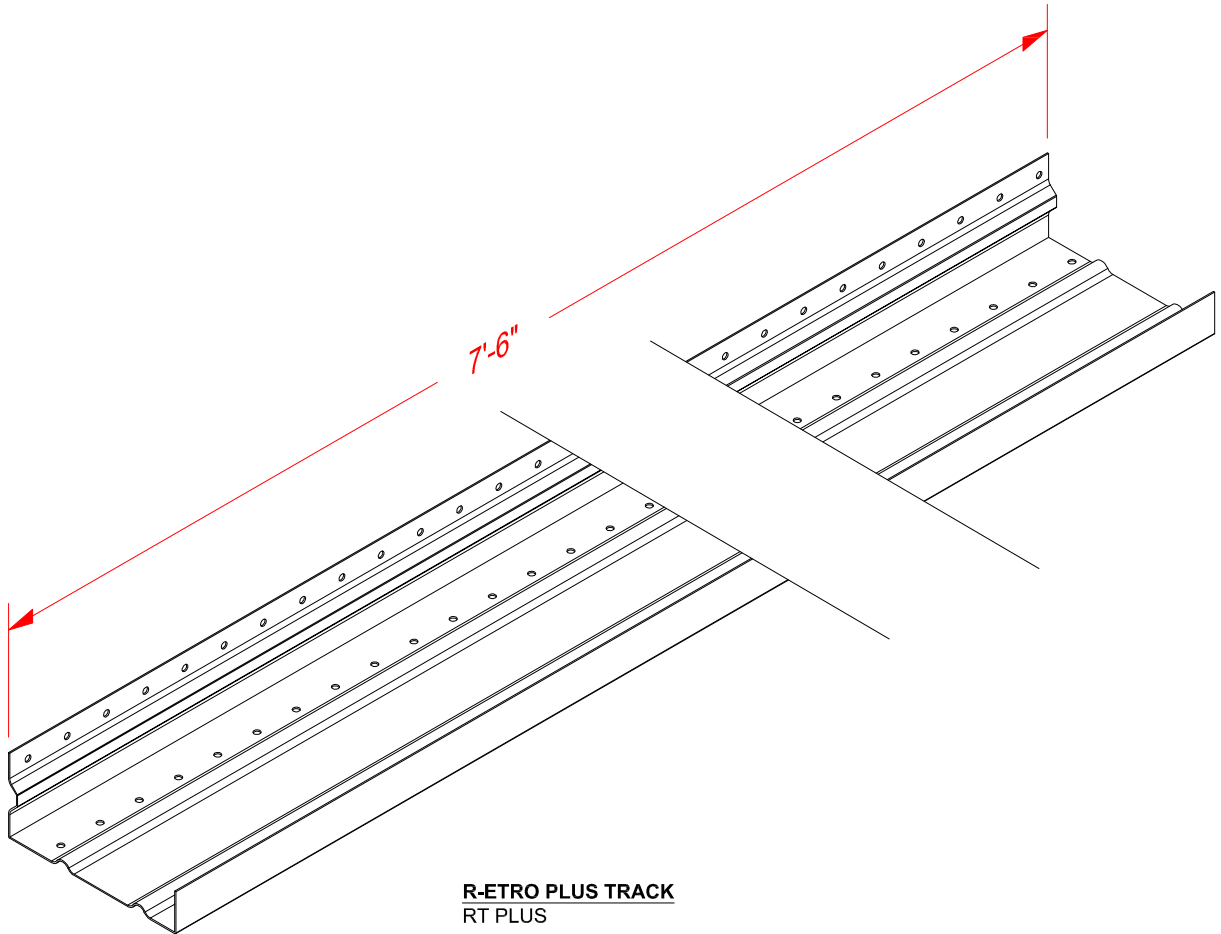


**R-ETRO PLUS TIE**  
RT PLUS



**R-ETRO PLUS TOP TIE**  
RTT PLUS



**R-ETRO PLUS TRACK**  
RT PLUS

**QUAD-LOCK**  
Building Systems Ltd.

Quad-Lock Building Systems Ltd.  
7398 - 132nd Street  
Surrey, BC V3W 4M7  
Canada

888.711.5625 - Toll Free  
604.590.3111  
604.590.8412 - fax  
www.quadlock.com

IT IS THE RESPONSIBILITY OF THE USER TO COMPLY WITH ALL APPLICABLE REGULATIONS AND BUILDING CODE REQUIREMENTS CONCERNING THE USE OF THESE PRODUCTS.

IT IS FURTHER THE RESPONSIBILITY OF THE USER TO RESEARCH AND UNDERSTAND SAFE METHODS OF USE AND HANDLING OF THESE PRODUCTS.

**R-ETRO COMPONENTS**

DATE:	2009-01-21	SCALE:	NOT TO SCALE
REVISION NO.:	R-02	PROJECT:	
REVISION DATE:	2009-07-10	CUSTOMER:	
DRAWN BY:	Z. PROSTRAN	APPROVED BY:	H.M.K. & D.J.B.
			DRAWING NO.:
			<b>RE-901</b>