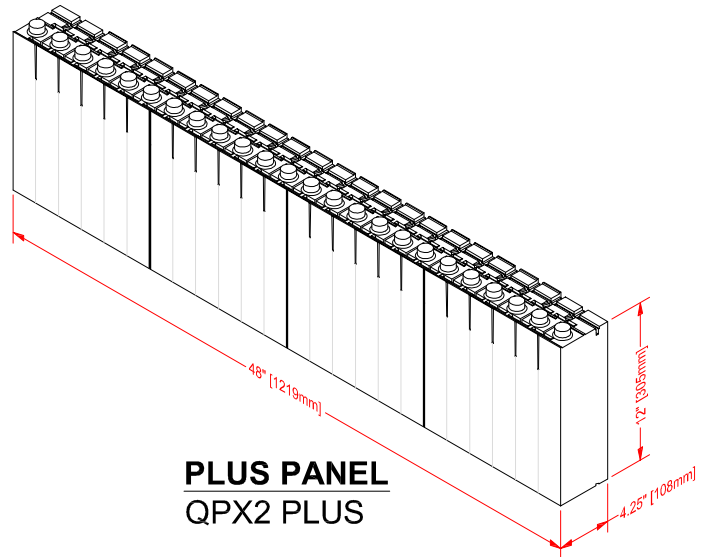
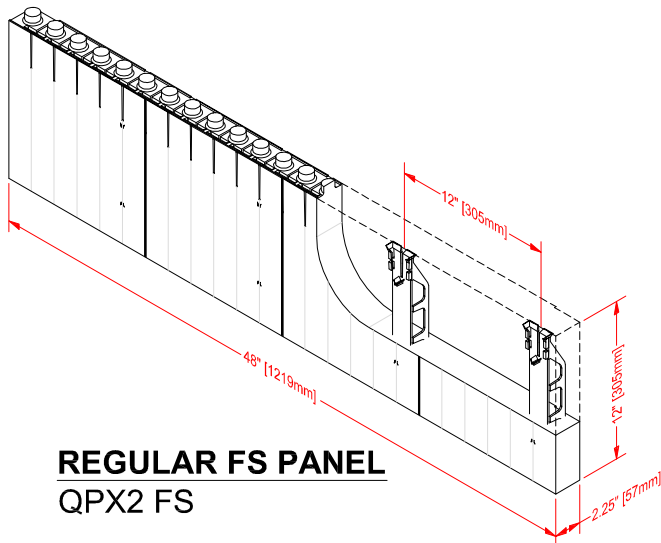


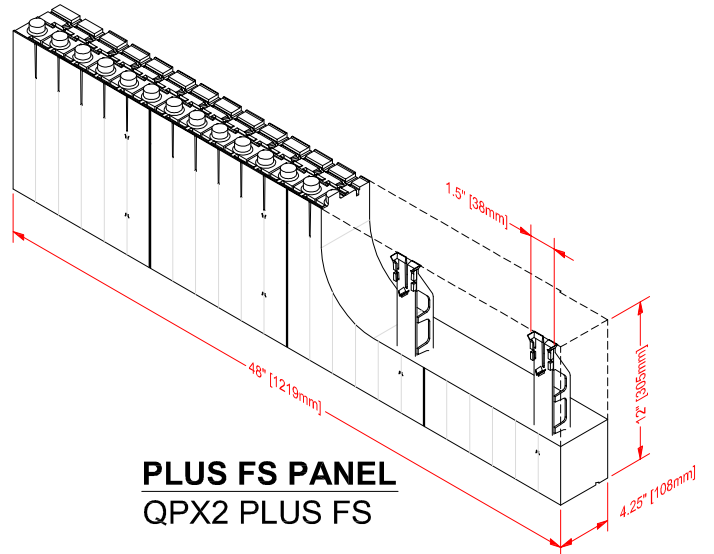
REGULAR PANEL
QPX2



PLUS PANEL
QPX2 PLUS



REGULAR FS PANEL
QPX2 FS



PLUS FS PANEL
QPX2 PLUS FS



Quad-Lock Building Systems Ltd.
7398 - 132nd Street
Surrey, BC V3W 4M7
Canada

888.711.5625 - Toll Free
604.590.3111
604.590.8412 - fax
www.quadlock.com

IT IS THE RESPONSIBILITY OF THE USER TO COMPLY WITH ALL APPLICABLE REGULATIONS AND BUILDING CODE REQUIREMENTS CONCERNING THE USE OF THESE PRODUCTS.
IT IS FURTHER THE RESPONSIBILITY OF THE USER TO RESEARCH AND UNDERSTAND SAFE METHODS OF USE AND HANDLING OF THESE PRODUCTS.

QUAD-LOCK PANELS (3D VIEW)

DATE:	2009-01-21	SCALE:	NOT TO SCALE
REVISION NO.:	R-02	PROJECT:	
REVISION DATE:	2009-07-10	CUSTOMER:	
DRAWN BY:	Z. PROSTRAN	APPROVED BY:	H.M.K. & D.J.B.
			DRAWING NO.:
			QL-901