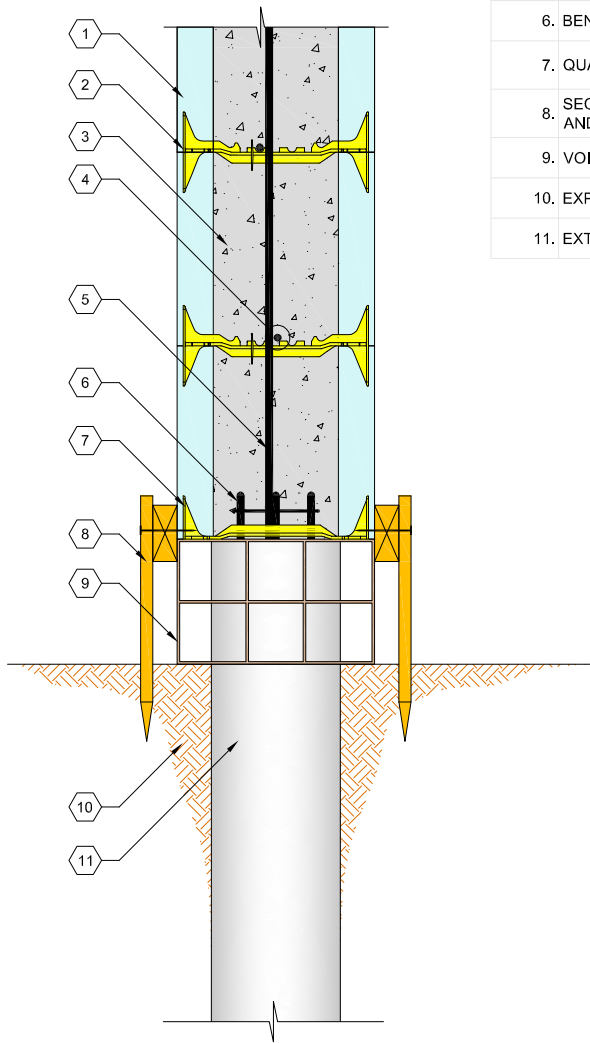


1.	QUAD-LOCK REGULAR 2.25" PANEL
2.	QUAD-LOCK TIE (8" YELLOW SHOWN)
3.	REINFORCED CONCRETE CORE
4.	HORIZONTAL REINFORCEMENT AS SPECIFIED
5.	VERTICAL REINFORCEMENT AS SPECIFIED
6.	BEND PIER REINFORCEMENT INTO WALL
7.	QUAD-LOCK HALF TIE
8.	SECURE 1x4 STAKE TO GROUND AT 24" O.C.MAX. AND FASTEN TO CONT. 2x4 AS SHOWN
9.	VOID FORM AS PER MANUFACTURER
10.	EXPANSIVE SOIL
11.	EXTEND PIER THROUGH VOID FORM AS SHOWN



QUAD-LOCK
Building Systems Ltd.

Quad-Lock Building Systems Ltd.
7398 - 132nd Street
Surrey, BC V3W 4M7
Canada

888.711.5625 - Toll Free
604.590.3111
604.590.8412 - fax
www.quadlock.com

IT IS THE RESPONSIBILITY OF THE USER TO COMPLY WITH ALL APPLICABLE REGULATIONS AND BUILDING CODE REQUIREMENTS CONCERNING THE USE OF THESE PRODUCTS.

IT IS FURTHER THE RESPONSIBILITY OF THE USER TO RESEARCH AND UNDERSTAND SAFE METHODS OF USE AND HANDLING OF THESE PRODUCTS.

WALL TO PIER CONNECTION VOID FORM METHOD 1

DATE:	2009-01-21	SCALE:	NOT TO SCALE
REVISION NO.:	R-02	PROJECT:	
REVISION DATE:	2009-07-10	CUSTOMER:	
DRAWN BY:	Z. PROSTRAN	APPROVED BY:	H.M.K. & D.J.B.
			DRAWING NO.:
			QL-113